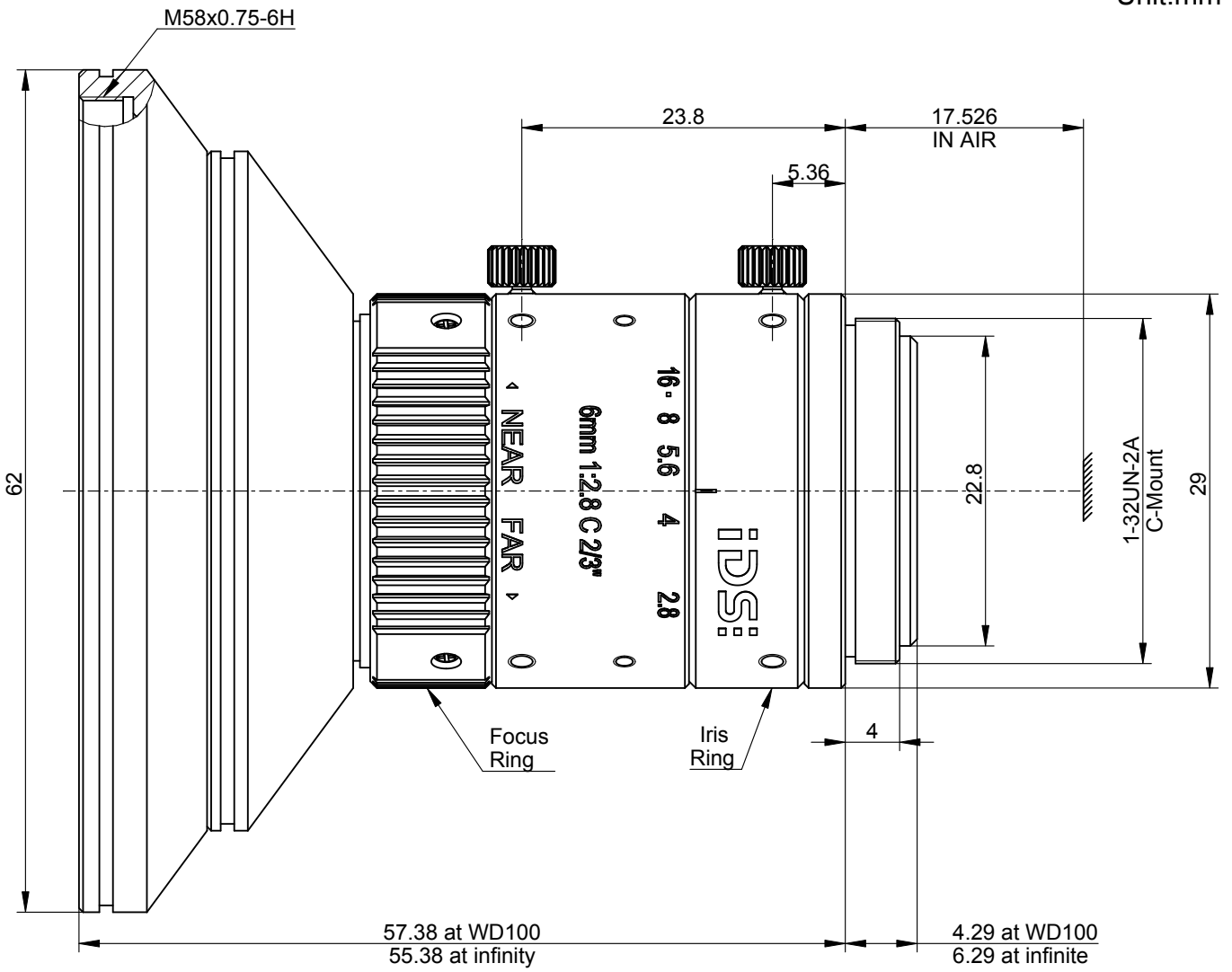


Optical Specification

Model	Lens IDS-12M23-C0628 6mm 2/3"	
Article Numer	1011770	
Focal Length (mm)	6	
Adjustion Type	Manual	
Aperture	F2.8~F16	
Sensor (mm)	11(2/3")	
Working Distance (mm)	100~infinity	
Mag. at MOD	0.049X at WD100	
Resolution (l/m)	2.2	
Field Angle	1/1.8"(HxVxD)	61.93°x48.46°x73.74°
	2/3"(HxVxD)	72.51°x57.62°x85.02°
TV Distortion	<0.15% at WD500	
Back Focal Length (mm)	12.77 at 100	
	12.41 at infinity	
Effective Diameter	Front (mm)	39.2
	Back (mm)	10.8
Chief Ray Angle	<7°	
Mount	C-Mount	
Weight (kg)	0.15	
Size (mm)	62 x 57.38	
Filter Thread (mm)	M58 x 0.75-6H	
Working Temperature	-20°C~+60°C	



Unit:mm

Copyright © 2025 by
IDS Imaging Development Systems GmbH
All Rights Reserved

View Angle	
Standard Different	
IT14	

Remark	
--------	--

Item	Signature	Date
Drawing		
Design		
Check		
Approve		
Paper Size	A4	
Revised Date	2025.03.03	

IDS: IDS Imaging Development Systems GmbH

Lens IDS-12M23-C0628 6mm 2/3"

Scale	Page	1/1	Version	A01
-------	------	-----	---------	-----