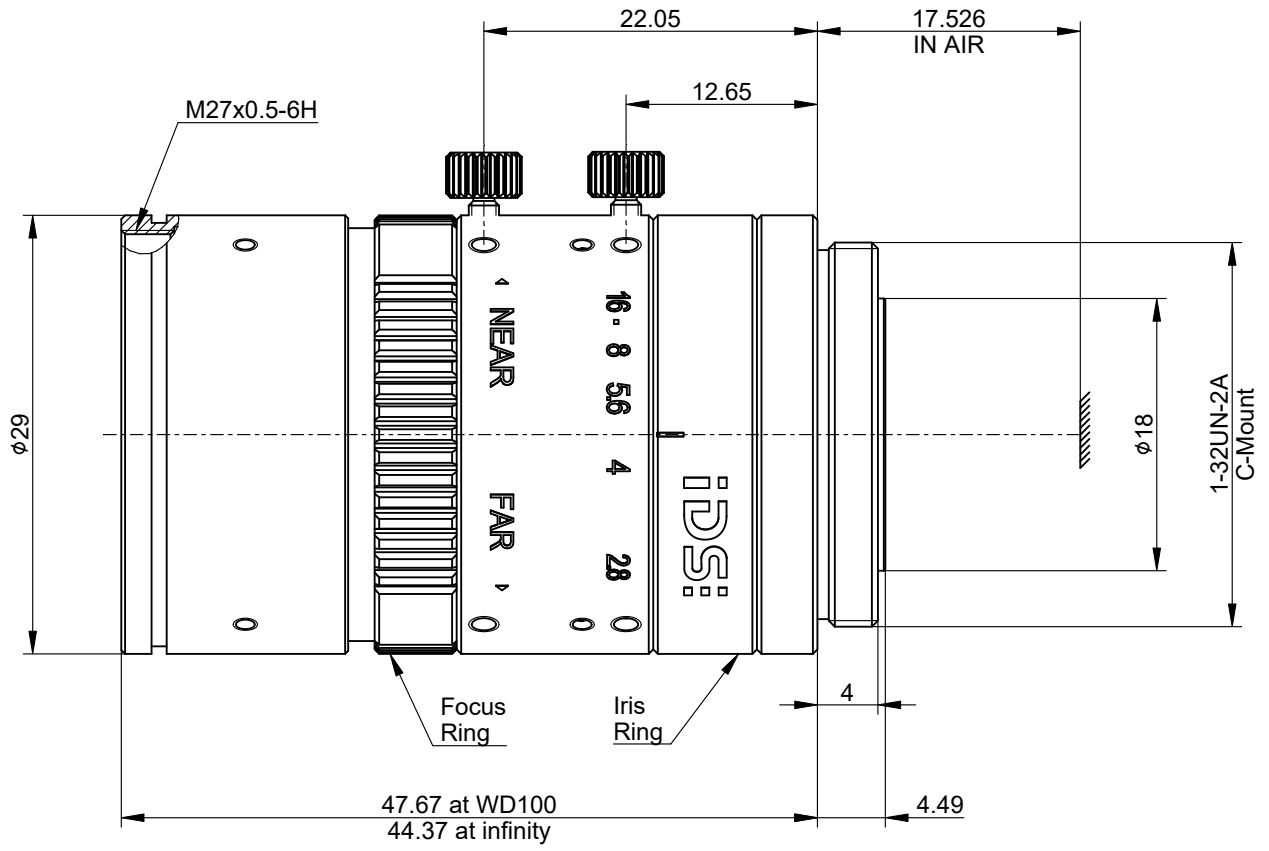


Optical Specification

Model	Lens IDS-12M23-C1628 16mm 2/3"	
Article Numer	1011828	
Focal Length (mm)	16	
Adjustion Type	Manual	
Aperture	F2.8~F16	
Sensor ϕ (mm)	11(2/3")	
Working Distance (mm)	100~infinity	
Mag. at MOD	0.126X at WD100	
Resolution (μ m)	2.2	
Field Angle	1/1.8"(HxVxD)	25.36°x19.16°x31.42°
	2/3"(HxVxD)	30.75°x23.30°x37.94°
Distortion	<0.02% at W300	
Back Focal Length (mm)	14.89	
Effective Diameter	Front ϕ (mm)	20.4
	Back ϕ (mm)	14.0
Chief Ray Angle	<5°	
Mount	C-Mount	
Weight (kg)	0.07	
Size (mm)	ϕ 29 x 47.67	
Filter Thread (mm)	M27 x 0.5-6H	
Working Temperature	-20°C~+60°C	

Unit:mm



View Angle		Remark	Item	Signature	Date
			Drawing		
Standard Different			Design		
			Check		
Copyright © 2025 by IDS Imaging Development Systems GmbH All Rights Reserved	IT14		Approve		
			Paper Size	A4	
			Revised Date	2025.03.03	

IDS: IDS Imaging Development Systems GmbH

Lens IDS-12M23-C1628 16mm 2/3"

Scale		Page	1/1	Version	A01
-------	--	------	-----	---------	-----