


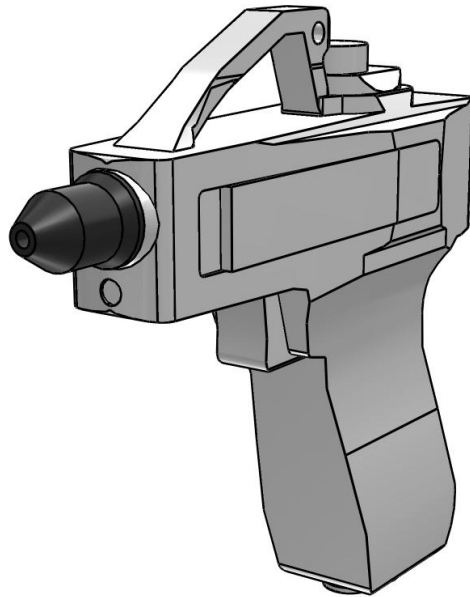
Projection		Scale	Free	DATE	02-13-2026
Drawing No.	IZG10-0803-01				

IZG10-0803-01

Ionizer Gun

3D View

To activate the interactive 3D view, you must trust this document (see hint on the top) in Adobe Acrobat and click on the question mark.



IZG10-0803-01

Ionizer Gun

Technical Data

FITTING (One-touch fitting)	(08) ø8 (Metric)
CABLE (Power supply cable)	(03) Power supply cable (For 24 VDC wiring)
NOZZLE (Nozzle type)	(01) Standard nozzle